



**MIDDLE HARBOUR YACHT CLUB**  
**THE COMPASS ROSE CRUISING LOG**

Volume No. 42 No. 9 October

Editors: Phil + Maralyn Darling

**NEXT MEETING:** MONDAY 17TH OCTOBER 7:30 P.M.  
B.Y.O. BBQ 6:30 P.M.

**SPEAKER:** VIKI MOORE FROM ISLAND CRUISING &  
JOHN HEMBROW FROM DOWN UNDER RALLY



'There is gold at the end and under the rainbow'

## CRUISING DIVISION OFFICE BEARERS 2022 – 2023

Cruising Captain	Sanna (Susanna) Westling	0476 152 799
Secretary	Kelly Nunn-Clark	0457 007 554
Treasurer	Niclas Westling	0476 152 800
Membership	Kelly Nunn-Clark	0457-007-554
Safety Coordinator	Phil Darling	0411 882 760
Sailing Committee	Sanna Westling, Phil Darling	0411 882 760
Committee Members	Martyn Colebrook, Phil Darling, Evan Hodge, Kelly Nunn-Clark, Dallas O'Brien, Niclas Westling, Sanna Westling, Jeremy Clarke	



### Editor's note:

**Deadline** for the next edition of the Compass Rose is **31 October 2022**

The **EDITORS** for the next Compass Rose is **Martyn Colebrook**

Please forward contributions via email to the editor at [cruising@mhyc.com.au](mailto:cruising@mhyc.com.au)

Opinions expressed in the Compass Rose are those of the contributors, and do not necessarily reflect opinions of either Middle Harbour Yacht Club or the Cruising Division

## Cruising events October 2022- February 2023

<b>October</b>	Monday 17th October 2022	Cruising Division Meeting 18.30 BBQ, BYO food and drink. 19:30 meeting
	Sunday 22 <sup>nd</sup> October	Sailing meet on water Sydney Harbour
	Sunday 23 <sup>rd</sup> October 2022	Make A Wish, MHYC
	Sunday 30th October 2022	10:00 Sailing Sunday and Safety Training Workshop, MHYC
<b>November</b>	Saturday 5 <sup>th</sup> November 2022	Sailing meet on water – Sydney Harbour
	Sunday 6th November 2022	10:00 Sailing Sunday MHYC – Working Bee
	Saturday 19th - Sunday 20th November 2022	Tapas-Tie-Up, Sugarloaf Bay see events online register
	Monday 21st November 2022	Cruising Division Meeting 18.30 BBQ, BYO food and drink. 19:30 meeting
<b>December</b>	Friday Dec 16 <sup>th</sup> 2022	Cruising Division Xmas Party at MHYC
	Monday 19 <sup>th</sup> December 2022	CD BBQ (No Formal meeting)
<b>January</b>	1st to 8th January 2023	New Year's Cruise (TBC)
	Monday 16th January 2023	CD BBQ (No formal meeting)
<b>March</b>	Saturday 18th – Sunday 19th	Cruising Get together on Water Botany Bay

## CAPTAIN'S COLUMN – OCTOBER 2022



Summer time has rolled over and I am looking forward to the lighter evenings and the start of Twilight sailing.



Looking forward to warmer weathers and keep my fingers crossed that we do not get too much rain for us to be able to stay on the water and sail as much as possible.

There are a few more sailing events planned for the next couple of months, keep an eye out in the Compass rose or on the cruising webpage. Events are updated on the website and if you are interested in joining, sign up to make sure the information about last minute changes can be communicated.

The renovation of the Sandbar has unfortunately been delayed due to some unexpected structural issues that need to be addressed before the new restaurant can open.

In the meantime, they operate a coffee shop upstairs in the Harbourview room, do come and support them if you are down at the club.

We will be arranging a Cruising working bee in November and I look forward to many of you joining us, be it with your boat, or if you are willing to come along and share your knowledge with other cruisers.

If you have a boat and are interested in cruising together with us, do get in contact with us on [Cruising@mhyc.com.au](mailto:Cruising@mhyc.com.au) or look at the website.

Stay safe on and off the Water.

Sanna

*SV RaRa*

# Rallies, Options and Things to Think About

~~~~~

## MHYC Cruising meeting 17<sup>th</sup> October

We have guest speakers **VIKI MOORE** from **Island Cruising** & **John Hembrow** from **Down Under Rally**, they will be on Zoom to discuss their Rallies and answer questions.

18.00 Naming ceremony for the newest Cruising member boat Montrose with the Mansley family - on the dock

18.30 BBQ with fellow cruisers BYO food and drinks

19.30 This month's presentation followed by our cruising meeting.



Welcome Aboard Island Cruising NZ  
Providing Cruisers with Support, Education & Connection

Island Cruising NZ help sailors prepare for a long coastal or offshore voyage. They also provide yacht cruising rallies around New Zealand and the islands of the South Pacific.



**EACH YEAR THE DOWN UNDER RALLY OFFERS CRUISING YACHT RALLIES IN AUSTRALIA & THE SOUTH PACIFIC.**

The emphasis of our rallies is on providing support for participants whilst at sea and when onshore by sharing our extensive knowledge about sailing to, arriving and cruising in these destinations.

The Down Under Rally does not sail to a schedule. All rally dates and events are a guide only and subject to suitable weather conditions being forecast for the voyage to the rally destination.

## BOAT GOSSIP – WHERE THE CRUISERS ARE AT

The cruisers at MHYC are moving around quite a bit, so I thought it would be good to share an update on their whereabouts.

A new addition to MHYC Cruising is the brand new **Montrose**, a beautiful Beneteau Oceanis 46.1, owned by Michael Mansley, previous part owner of CaVa. She will be kept west of the Spit Bridge and we'll hope to see her on future cruising events once she's fully commissioned.



At the time of writing, **CaVa** is still on her way back from Hammo

The new Club Captain Bryan Moore's Northshore 369 **Shibumi** has joined the cruisers, in addition to all the racing he's doing. Bryan is keen to join our raft-up's and other cruising activities.

The Dufour 520 **Dream Away** has been resting at the club while the Kelleways are doing a European tour. We look forward to seeing them back in Sydney soon.

Glynne and Gill's **Simply Irresistible** has been out of action for a while getting a new engine installed.

**Argenta** is up north, cruising around the Great Barrier Reef.



Gavin Randall is taking his new (to him) **Viking 3**, a Hallberg Rassy 38 from 1986 down from QLD in an appropriately slow manner enjoying the journey. We hope to see him in Sydney around December, after the northerlies have kicked in.

Also up north is Martyn and Anna's Nautitech 40 **Flo**, doing chartering at the moment. Martyn's other boat, **Slac'n'Off** is safely moored inside the Spit bridge awaiting Martyn's return mid-October.

A bit further south, in Tassie, Evan and Kelly have completed some rigging work on **Sanctum** and the mast is now back in.

Another Catalina of the club, **Tommy**, which was berthed at Clontarf was recently sold and unclear where she's heading.

In the meantime, **RaRa**, **Kai Rani** and **Eternity** have been taking all opportunities to get around the harbour lately, enjoying the odd raft-up.

# MHYC Cruising Sydney Sailing events



Our next cruising events on the Harbour. Go to the Cruising website to register interest and to get the latest information on final destinations, which is weather dependant.

## **Saturday 22 October to Sunday 23 October:**

Meet up on Saturday for a sail around the harbour, followed by a get together in the evening at Chinamans beach. Sunday morning we make our way back to MHYC to participate in the Make-a-wish sailing event.

## **Saturday 5 November to Sunday 6 November:**

Cruise the Harbour and meet up in the evening at Store Beach or Quarantine beach. Sunday sail back to MHYC to participate in the Cruising Working Bee at the marina.

## **Saturday 19 November to Sunday 20 November:**

Tapas Tie Up in Sugarloaf Bay – see separate invitation.

## **Saturday 3 December to Sunday 4 December:**

Sail together down to the Harbour bridge and beyond as we meet up near Berry Island, near the HMS Waterhen and gather for the evening. Sunday we sail back up the harbour

**For all events – register online or send us an email to register on:  
[cruising@mhyc.com.au](mailto:cruising@mhyc.com.au)**



## CLUB OPENING DAY

Opening Day was held this year on Saturday 3<sup>rd</sup> September. In line with previous years, it was a lot of fun – but also overcast, windy and with rain forecast. With a third La Nina weather event forecast for the summer – what else can we expect?

With the renovations underway in the downstairs bar, all festivities were to be upstairs in the Harbour View bar. We gathered at 10am, and the season was formally opened, then trooped down onto the boats for the Sail Past and the Commodore's Front Up Cup (the commodore was actually not present – he was up in Magnetic Island for their race week – obviously in much warmer and more friendly weather than back here).

With the wind gusting to 25kts and howling down Middle Harbour, the turn out for the sail past was somewhat limited – six boats of which three were from Cruising. The Hugh George (the club's well-loved start boat) led the parade, followed by RaRa, eXpresso and KaiRani (from the cruising group) then Wailea, Stormaway and Elysiums. The club's other start boat the Jack Stenning (the boat – not the person – Jack was actually on the pontoon helping to take the salute) followed up at the rear.



The salute was taken by a prestigious group of flag officers and other notables including Jack Stenning and also of course our Cruising Captain Sanna.

Once the sail past was over, we on eXpresso headed off to be ready for the Front Up Cup – but alas it was not to be. With winds increasing the race was called off, so we returned to our mooring and then back to the club to drown our sorrows and discuss “what might have been”.





Make-A-Wish Day is fast approaching. **The Date is Sunday 23<sup>rd</sup> October.** Currently we have a possible 10 boats (2 to be confirmed).

We still need help on the day. Families are expected to board at around 10 a.m. for a cruise down the harbour and return for a sausage sizzle about 1 p.m.

We are seeking donations of food e.g. sausages, bread, onions or anything else needed for a sausage sizzle such as plates, serviettes, drinks and chips. If you are handy with a baking tin, cake would be appreciated or even fruit.

We have asked for a T head to be kept free for those boats which are not in a berth so help may be required to catch lines and moor. Once the boats return, BBQ assistance will be required.

Please contact Dot Theeboom [theeboom1@tpg.com.au](mailto:theeboom1@tpg.com.au) or 0409030984.





## TAPAS TIE-UP - South Asian Style NOV 19<sup>TH</sup> & 20<sup>TH</sup>

EACH BOAT WILL BE TRANSFORMED INTO A MINI FLOATING ASIAN RESTAURANT. IT IS YOUR CHALLENGE TO NAME YOUR BOAT, AS A CLUE TO THE TYPE OF FOOD. FOR EXAMPLE, KAI RANI CURRY OR SISU SUSHI, EACH BOAT PROVIDES A HOT OR COLD DISH WITH AN SOUTH ASIAN THEME.

PLEASE PREPARE ONE LITTLE TAPAS DISH PER PERSON AND REFRESHMENTS TO MATCH YOUR DISH. THE NUMBER OF FLOATING RESTAURANTS TO BE CONFIRMED.

Prizes will be awarded for most creative name, the best decorated boat and dress up. There will be fun games and lots of laughs.

WE WILL MEET UP FOR THE TIE-UP AT 5:30PM ON SATURDAY THE 19TH OF NOVEMBER AT SUGARLOAF.

PLEASE RSVP INTEREST 12<sup>TH</sup> NOVEMBER AS THIS WILL HELP WITH PLANNING. OR SEND QUESTIONS THROUGH ANYTIME.

Contact Dallas O'brien on 0404 892 077 or [obrien.dalla@gmail.com](mailto:obrien.dalla@gmail.com)



## Welcome to our newest cruiser: Montrose, owned by the Mansley family.

---

Airin and Michael Mansley have been associated with MHYC since around 2007 when their son Aiden started school holiday sailing camps. Aiden is now a coach at MHYC and has won Australian championships in different boats and sailed at multiple world titles.



Michael started sailing in his early 30's chartering 40-foot cruisers for social sailing around Sydney harbour with the wider family.

Michael was heavily involved in the youth program at MHYC, helping out on the water during the week and on Saturdays with school sailing, and helping out with Sunday squad racing for many years.

Michael also worked on the MHYC youth committee as both the International Cadet and the 420 representative at different times. Some of the children will remember the pizza vouchers Michael introduced as weekly class prizes for Sunday racing during the summers.

Their first significant boat was a Riviera motorboat. After that they jumped into Ca Va, a brand new Jeanneau 440 (2019) with past MHYC Commodore Peter Lewis, Phil Dressler and Peter Laver. Ca Va sits on C8 on C arm. Finally, they jumped out of Ca Va for Montrose. Montrose is a brand new Beneteau Oceanis 46.1 First Line currently being commissioned.



The name written on the boat is "Graham of Montrose", but as that was considered too long a name for a radio emergency, so Montrose is the registered name. Montrose is a town just north of St Andrews and Edinburgh in Scotland. Michael is a descendant of James Graham of Montrose, who is a famous Scottish nobleman, poet military leader and strategist. In 1650 James Graham was found guilty by the Scottish

parliament hanged, beheaded and quartered. In 1661, King Charles II paid for a lavish funeral for James and his reputation went from traitor to a romantic hero.

James' remains currently lie in state in one of only two sarcophagi's in St Giles Cathedral in Edinburgh. St Giles Cathedral was in the news recently as Queen Elizabeth II's body was on public display there for the Scottish people on her way back to Windsor. Michael recently visited James again, but this time it was with his brothers who had not been to the cathedral before.

### **CD Quiz – October 2022 by Phil Darling**

1. A recent Special Regulations update allows "HMPE rope" as a lifeline material for categories 1 to 4. What is HMPE?
2. What are the benefits of using HMPE rope in your lifelines (list at least three)?
3. If using HMPE rope what are two disadvantages or things to look out for?
4. What is the day shape for an anchored vessel?
5. Having worked out the day shape for an anchored vessel, you see a stationary vessel displaying three black balls in a vertical line. What does this mean?
6. What is the name of line led from the main boom to a forward position to prevent an accidental gybe?
7. What is a Spring Tide, and how often do they occur?
8. What term is given to a vessel which has gone aground at the top of a spring tide, and has to wait for two weeks for the next tide high enough to float off?
9. What are the two alternate names given to mechanism (may be rope or alternately a solid metal strut) which applies downward force to the forward end of the boom?
10. What do the letters EPIRB stand for?

## CHEF'S CORNER BY KELLY NUNN-CLARK

### Two Beer Can Chicken Recipe

Okay this recipe is just intriguing, I remember my mum cooking sausages in beer and the caramel coating that occasioned was delightful. So, here goes with chicken.



#### Ingredients:

- 4 chicken breasts (or substitute 9 chicken thighs – boneless)
- 2 small onions (one large onion)
- A Chilli Sauce of your choice.
- 2 Cans of Beer
- Salt and Pepper

#### How To make:

- Brown the chicken in a skillet or pan and season with salt and pepper and then add the onions to pan (dice or slice you choose)
- Halfway through cooking the chicken add the chili sauce and beer (just one can, the other one really is for drinking either now or with the meal!)
- Simmer on a low to medium heat until liquid thickens and chicken is cooked.

#### Tips:

- Serve with your favourite vegetables, rice or pasta
- Substitute diced pork or beef for the chicken

## PHOTO COMPETITION FOR 2022

**October Winner** .....Photo of the Month is **Jeremy Clarke**. Send your photos to **Maralyn Miller** to enter into the 2022 Cruising Division Photo Competition. Each Month the best photo received will be published and, in the running, to win a new **Mystery Prize** at the end of 2022.



The photo was taken by Jeremy Clarke and is called  
"Cruising Sunrise"

Only one photo per month (as a JPG / JPEG) to be submitted. Remember ... to be in the running to win the prize you must be in it.

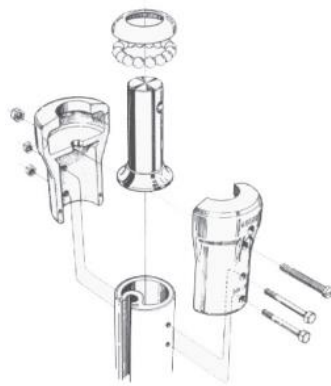
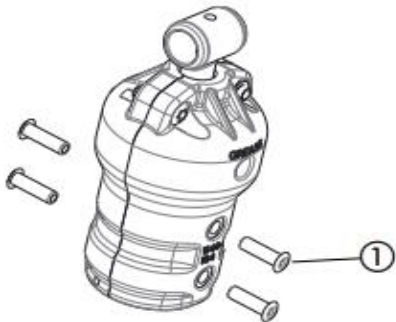
Hint .... Give your favourite photo a Title and Place taken. Submit your photo and only to [Darling.maralyn@ozemail.com.au](mailto:Darling.maralyn@ozemail.com.au). Good Shooting ...!! Maralyn.



## CALAMITY CORNER

We have been getting the standing rigging replaced on Sanctum as required by insurance companies. Sanctum has Selden in mast furling and one of the tasks to be completed was to adjust the tension on the mandrel, the long tube that runs up inside the mast that the sail wraps around.

When making the adjustment the tension screw was tightened as far as it could go but the mandrel was still loose. Further inspection determined that the top swivel had become disconnected from the mandrel. The top swivel holds the bearing and attaches to the masthead to hold the top of the mandrel in place. The diagram below on the left is the top swivel and bearing model that is on Sanctum. Earlier versions are like the one on the right.



What used to have stainless steel nuts and bolts right through was now being put together with 5mm Aluminium pop rivets.



When we dismantled the mast head assembly, we could see that all 4 rivets had pulled out of the mandrel conduit and the few rivets that were still half in the top swivel (the black piece in the phot above) were scoring the mandrel and the very top section of the mast groove.



I assume the change from bolts to pop rivets is cost cutting but it obviously makes it a lot weaker. Luckily, we were able to repair it by making a tape sleeve and using 6mm stainless steel rivets. The mast was to be put back first thing the following morning so we are pleased we did not get further delayed waiting for parts.

We have yet to get the sails back up but we feel confident now that if we get caught in an unexpected squall we will be able to quickly furl the main without the top swivel jamming.

Kelly & Evan  
SV Sanctum

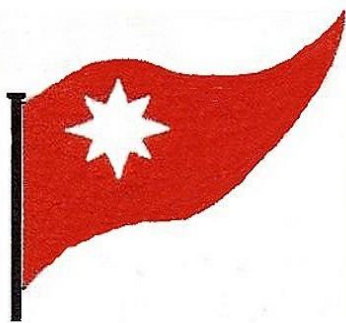
## CD QUIZ – OCTOBER 2022 – ANSWERS

1. HMPE stands for either High Molecular Weight Polyethylene or High Modulus Polyethylene – depending on your source. The original brand name was Dyneema but there are also a number of other apparently equivalent brands on the market now including Spectra, Ultrex, Endura, and others. Probably best to check with a rigger to be sure if you are looking at using this.
2. Benefits of HMPE rope include its lightness, its strength, its resistance to cutting and its human-friendly nature (it is less likely to fray and cut you compared to stainless steel).
3. HMPE needs to be installed according to the manufacturer's specification (which may mean paying a rigger); also watch out that it does not fray when passing through stanchions.
4. The anchor shape is a single black ball.
5. That vessel is aground.
6. A "preventer", sometimes called a "gybe preventer".
7. *"A spring tide is a common historical term that has nothing to do with the season of spring. Rather, the term is derived from the concept of the tide "springing forth." Spring tides occur twice each lunar month all year long without regard to the season. Neap tides, which also occur twice a month, happen when the sun and moon are at right angles to each other"* (thanks to the US National Ocean Service for this excellent description)
8. Neaped (as it has to wait through the neap tides until the next spring tide).
9. In Australia and the USA it is a Boom Vang (or just the "Vang"). The British tend to call it the Kicker or Kicking Strap.
10. Emergency Position Indicating Radio Beacon.



MEMBERS ARE INVITED TO SUBMIT ARTICLES OF APPROXIMATELY 800 - 900 WORDS ON SUBJECTS WITH A SAILING THEME, INCLUDING PERSONAL SAILING ADVENTURES, BOOK REVIEWS, SKETCHES, JOKES, AND SO ON. WRITE YOUR ARTICLE WITH TITLE, YOUR NAME AND BOAT NAME, AND EMAIL TO THE EDITOR.

The Cruising group within Middle Harbour Yacht Club meets on the 3<sup>rd</sup> Monday of each month, and uses as its sailing pennant a flag with a white compass rose on a red background.



MHYC Cruising members invite a raft-up or cruise in company whenever they fly our pennant, which we refer to as 'the Compass Rose'.

The Cruising newsletter is titled 'The Compass Rose Cruising Log' and is published monthly. The newsletter is also available through the MHYC website at [www.mhyc.com.au](http://www.mhyc.com.au).